



Safety Instructions



0,1,2,4,6,7,8,11,15,16,
17,19,22,23,25



Info Hotline

+49 (0) 5041 998 389

Mon. - Do. 7⁰⁰ - 20⁰⁰

Fr. 7⁰⁰ - 17⁰⁰

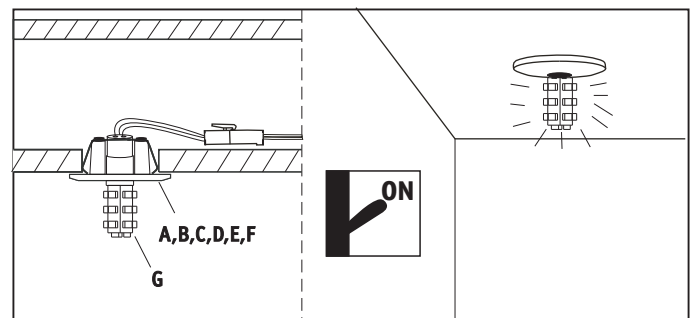
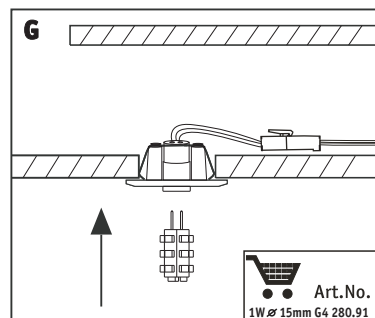
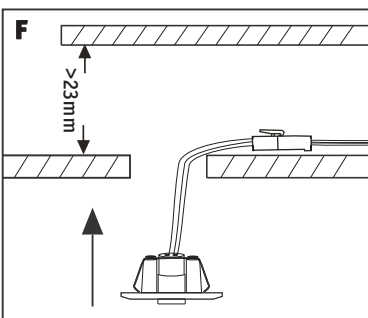
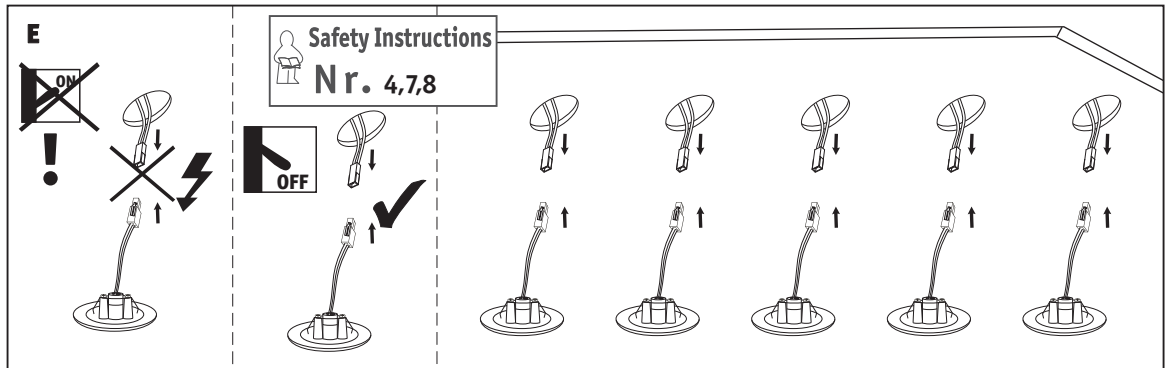
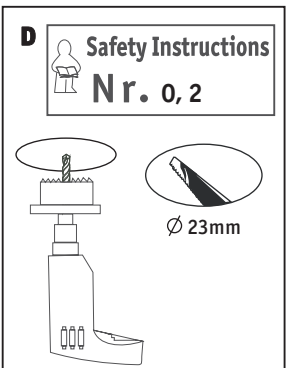
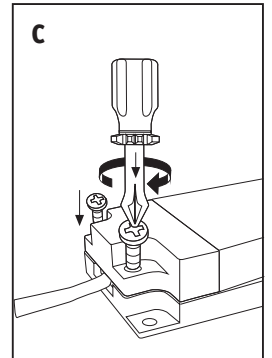
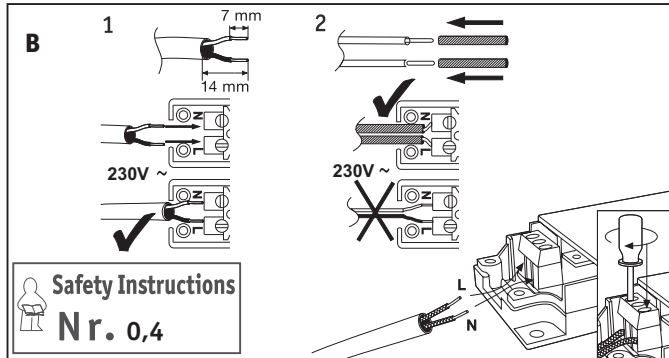
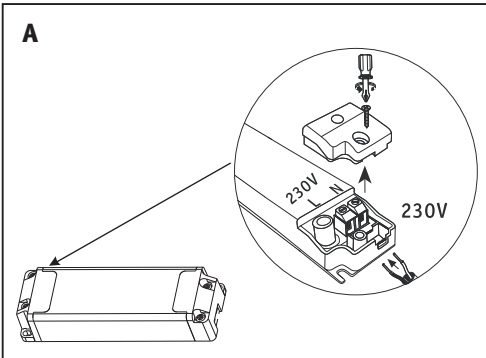
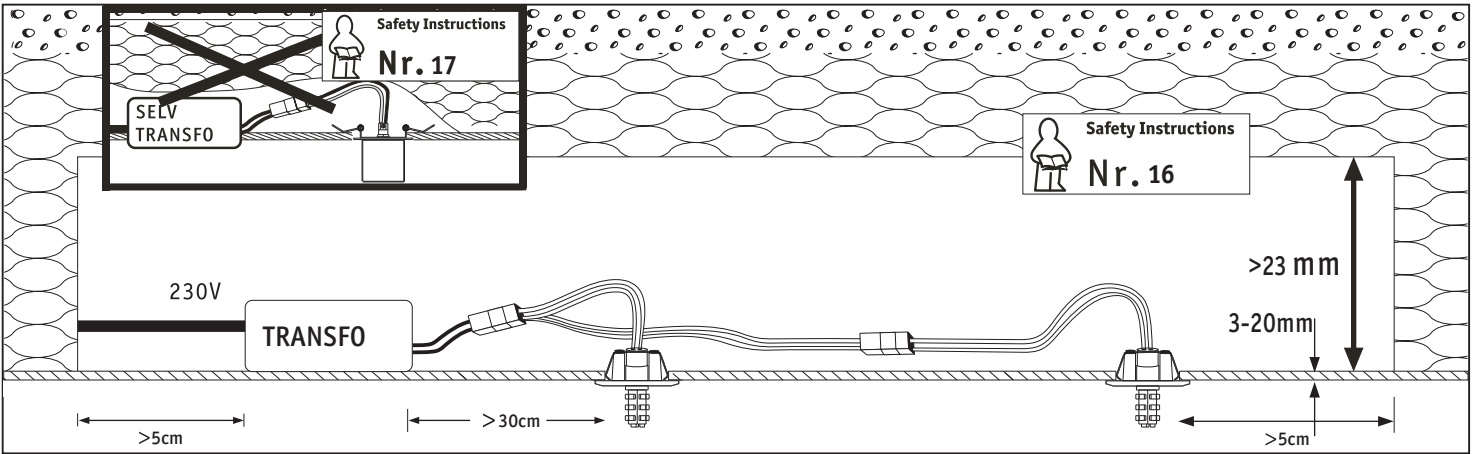
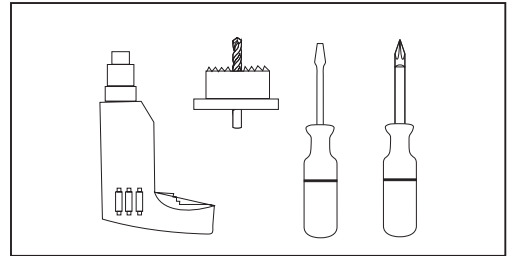
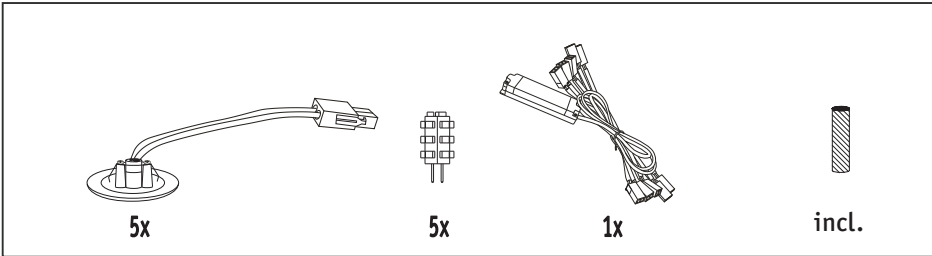


Paulmann Licht GmbH
31832 Springe / Germany
www.paulmann.com

Art.-Nr.:
925.45

(+MA 173)

PBO 03/12



Art.No.
1W ø 15mm G4 280.91